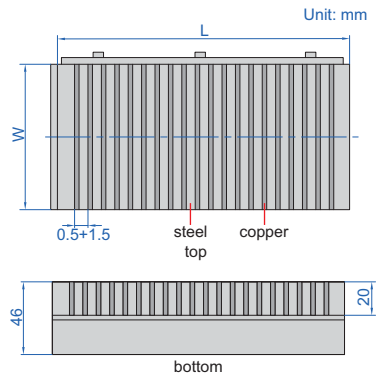


ATTENTION:
NOT HARDENED



6537-400

PERMANENT MAGNETIC CHUCK



Code	Table size (L×W)	Magnetic force	Pole pitch	Parallelism of top to bottom
6537-400	400×200mm	8kgf/cm ²	0.5+1.5mm	0.02mm/300mm